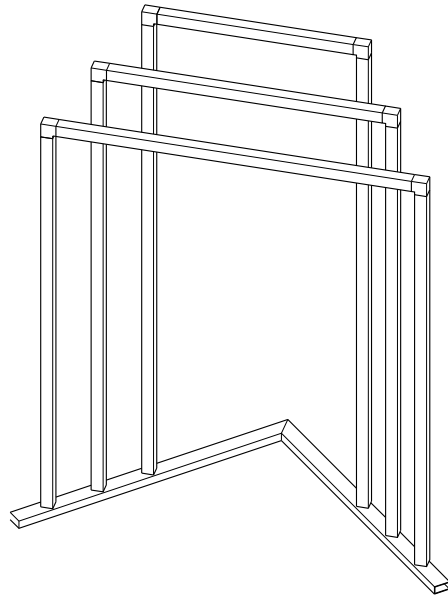


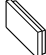
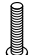
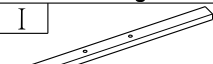



L Shape 3-Tier Iron Frame Corner Towel Rack Installation

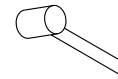


Parts:

	Straight Tube	L Shape	Sift Head	Screw
				
		1 Pc	2 Pcs	6 Pcs
A	12-3/8"	1 Pc		
B	17-1/8"	1 Pc	Counterweight rod	Gasket
C	21-13/16"	1 Pc		
D	26"	2 Pcs		
E	28-3/4"	2 Pcs		
F	31-1/2"	2 Pcs	6 Pcs	4 Pcs

www.kingstonbrass.com
 TOLL-FREE CUSTOMER SERVICE: 1-877-2-KBRASS
 TECHNICAL SUPPORT E-mail: service@kingstonbrass.com
 12775 Reservoir Street, Chino, CA91710

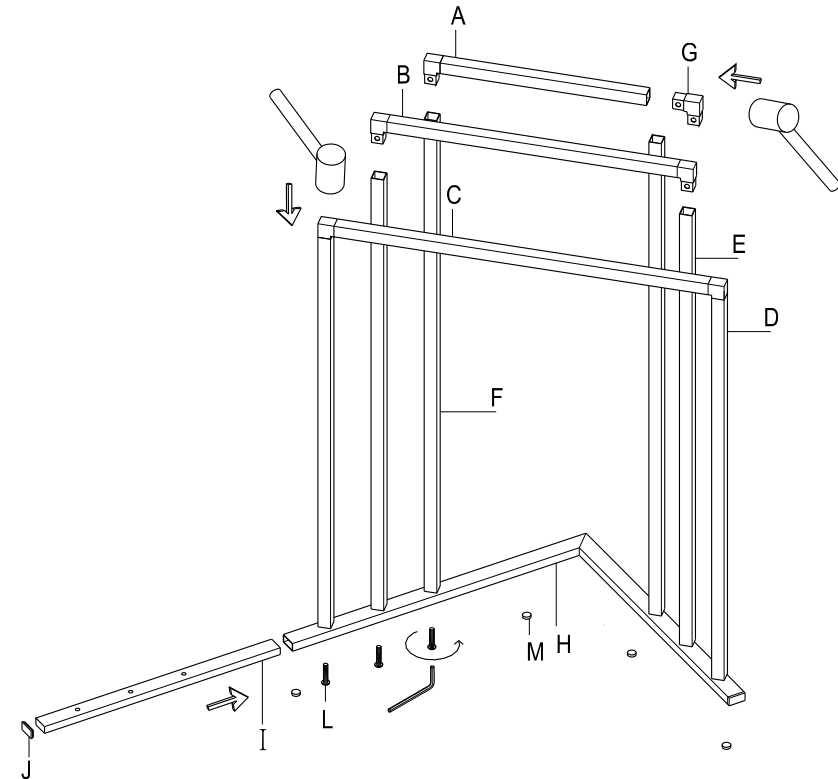
TOOLS REQUIRED



Rubber Mallet



Allen Wrench



Installation Steps:

- Step 1. Using a rubber mallet, gently insert the two-way connectors (part G) into the straight tube (part A). Repeat on the other side. Repeat step 1 with parts B and C.
- Step 2. After completing step 1 with parts A, B, and C. Locate parts D, E, and F. With the rubber mallet insert the free end of the two-way connectors (part G) into parts D, E, and F. Be sure that part A is paired with F, B with E, and C is paired with D.
- Step 3. Next, locate the counterweight rod (part I) and insert into the L-shaped base (part H). Repeat for the other end. After insertion, find the screws (part L) provided and secure them into (part H) by tightening with an Allen wrench.
- Step 4. Then, locate the sift heads (part J) and insert into both ends of (part H).
- Step 5. To complete the installation, use the gaskets (part M) to cover the 4 exposed holes on the bottom of the base. This helps prevent direct contact with the floorboard and extends product life.

Cleaning

Clean with a damp cloth only.
 Avoid using metal or abrasive polishes.